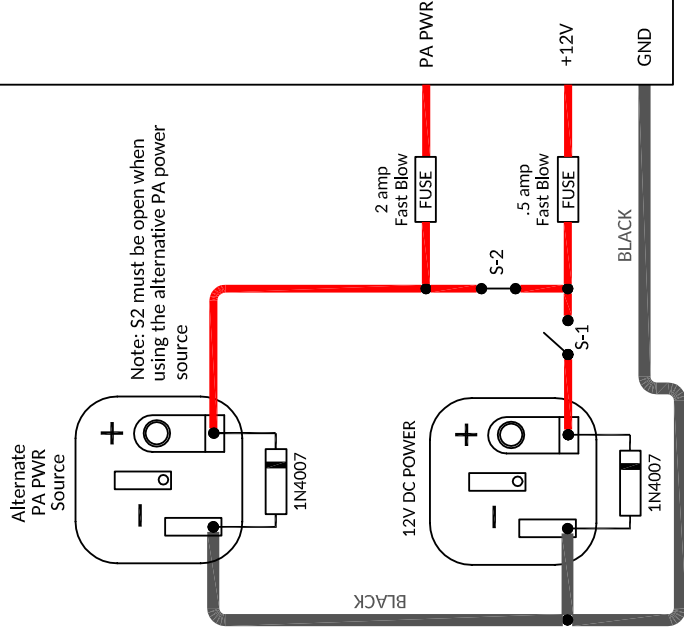
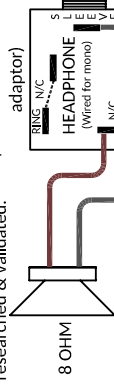


NOTES:

- 1. uBitx board should be grounded if using a metal case or a common ground for plastic case.
- 2. IRF510 tabs have DC voltage & SHOULD NOT be grounded to metal box (if used).
- 3. Rotary encoder, audio & keyer jack wires should be twisted & kept as short as possible. If using a metal case, jack GROUND wires can be omitted. The SLEEVE is grounded to the case.
- 4. The LCD display can be mounted away from Arduino using a male/female connecting cable, however keep wires as short as possible.
- 5. DC power wires should be twisted. The negative (BLACK) wire should be larger wire size.
- 6. It is better to wire up the uBitx "STOCK" as a starting point. Most modifications should only be performed once your uBitx is functioning.



Attaching a SPEAKER using this method should be carefully researched & validated.



When headphone is inserted the N/C pins will open.

This wire-up should be used as a guide.

Hf Signals may revise the uBitx board and Raduino at any time.

uBITX wire-up based on Farhan's stock firmware and HF Signals 1st run board.

