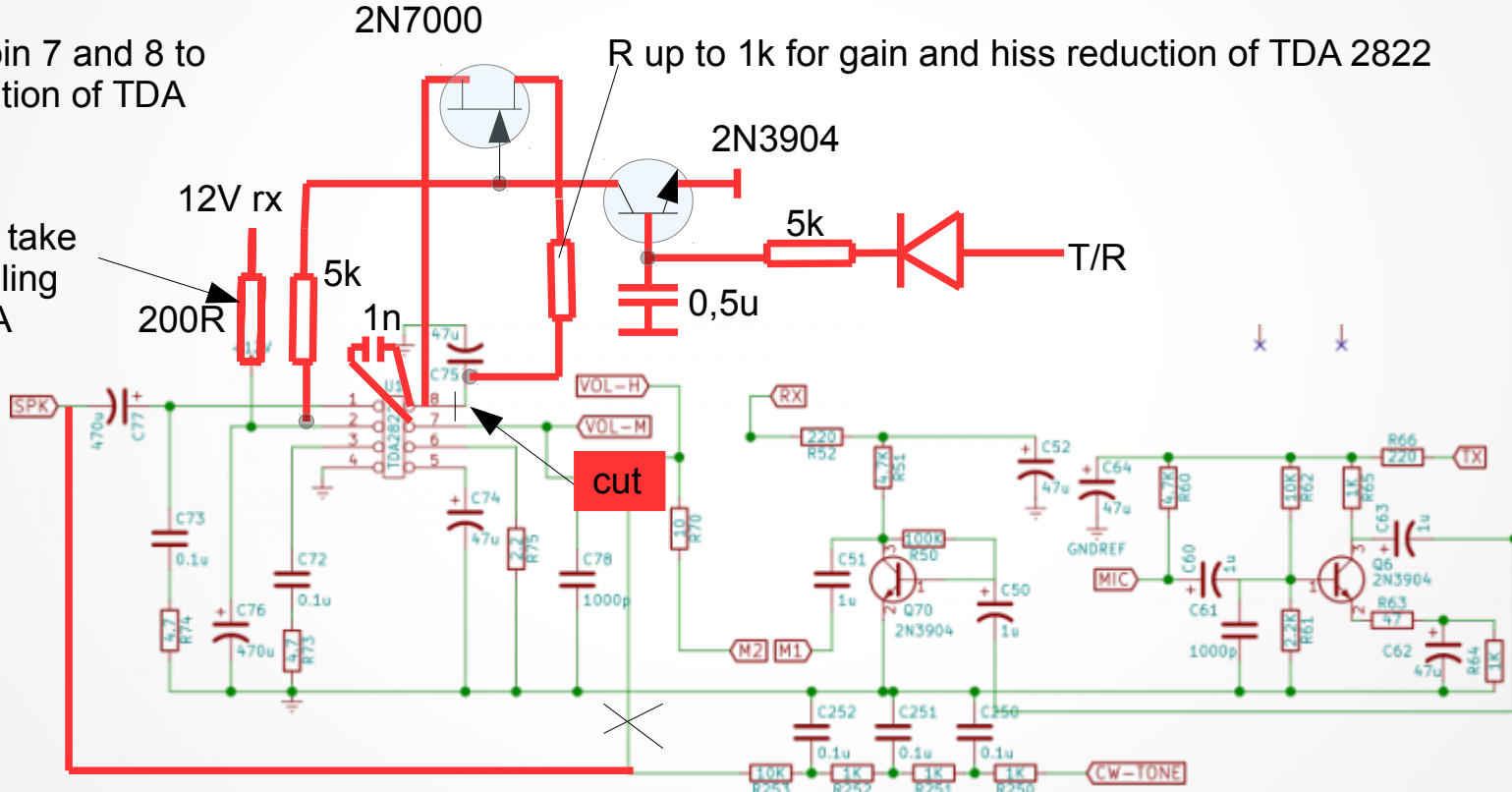


# - uBITX - rx-tx-pop fix

1nF between pin 7 and 8 to  
block RF-oscillation of TDA

200R and 470u take  
care for decoupling  
12v rx from TDA

R up to 1k for gain and hiss reduction of TDA 2822



connect too loud sidetone directly to SPK – as TDA is now  
without voltage during tx