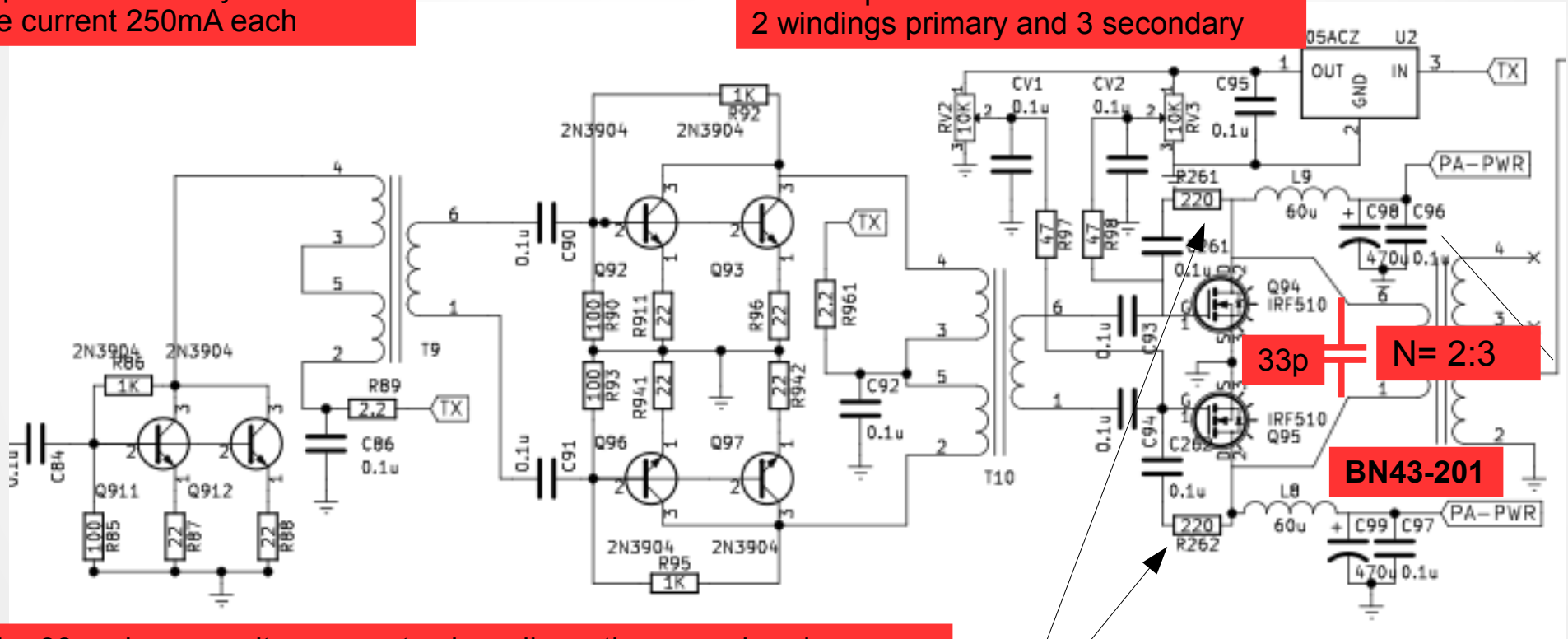


# - uBITX with 15 W - PA with RD16HFF1 (Io =0,25A) and new output transformer

Replace IRF 510 by RD16HFF1  
Idle current 250mA each

New output transformer on a BN43-201  
2 windings primary and 3 secondary



The 33p mica capacitor resonates broadly on the upper bands  
output 18W on 20m 12W on 10m - - 15 W average on the other bands

reduce feedback, 1 k